



PRESENTS

*BB-Mix*<sup>®</sup>

UV RESIN MIXER



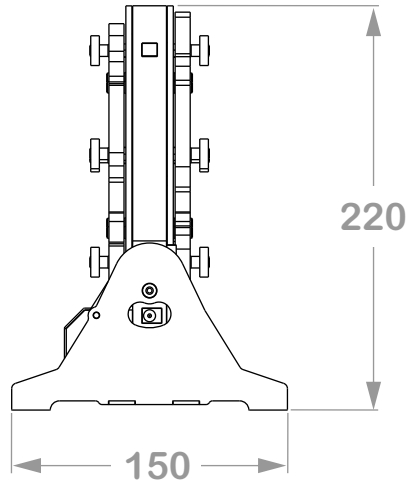
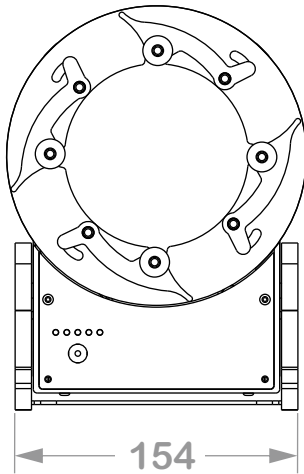
Did you know that.....

only a perfect mixing of the resin can guarantee the performances declared by its manufacturer!

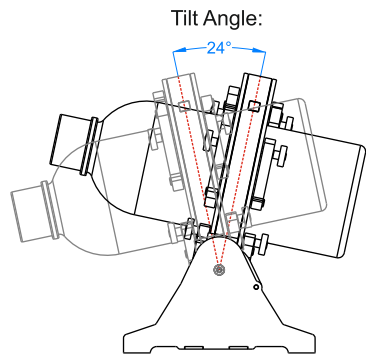
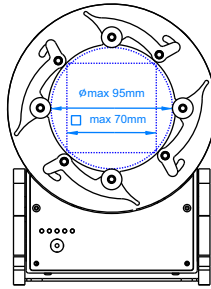
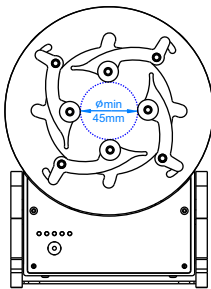
BB-Mix in pills:

- accepts the most varied bottle sizes, even square ones from 45 to 90mm in diameter
- perfectly mixes even the most viscous resins
- tilting system with a high angle of inclination
- 4 programmable timer programs
- extremely compact

# BB-Mix<sup>®</sup>



Bottle Sizes:



## Technical features:

External Dimensions: 154x150xh220mm

Load Size: d.45-95mm

Tilt Angle: 25 °

Rotation Speed: 80RPM

Pre-programmed timers: 4

Power Supply: external

Total Power 30W

Supply voltage: 100-240V 2A 50-60Hz

